

M/s.....

.....

.....

Sub: RFQ for the procurement of sealed window glass (size- 1503 x 969 x 18.38 mm) and lavatory frosted sealed window glass (size 589 x 969 x 18.38 mm) for Maharajas' Express.

Indian Railway Catering & Tourism Corporation Ltd (IRCTC) is a Mini Ratna PSU under the ministry of Railways.

Through this RFQ online quotations are invited for the procurement and supply of 35 nos. of Laminated Sealed Window Glass and 15 Nos. of lavatory frosted window glass for Luxury Tourist Train Maharajas' Express with following specifications:

S. No.	Description	Qty	Size of Glass in mm	Rate per Unit in Rs.	Total in Rs.
1.	4mm. Thick Saint Gobain Glass Bronze Reflective Annealed Glass + 0.38mm Clear PVB + 4mm. Thick Clear Annealed Glass + 6mm. Ari Gap + 4mm. Thick Clear Toughened Glass with rough Grinding on edges, as per RCF specification no. MDTS 089 Revision -3, (Drg. Attached)	35 Nos.	1503 X 969 X 18.38		
2.	Lavatory Frosted Sealed Window Glass with white PVB film of size 589 x 969 x 18.38 mm for window size 690 x 1070 mm conforming to MDTS Specifications 089 with latest version & as per drawing (Drg. Attached)	15 Nos.	589 X 969 X 18.38		
GST %					
GST Amount in Rs.					
Total					

Terms and conditions:

1. Only Railway's authorized vendor for supply of window glass is allowed to participate in Tender. Proof to this effect i.e. supply of window glass to RCF/MCF/ICF Railway production units may be attached. Participation of firm who is not window glass supplier of Railway's shall be rejected.
2. The rates will be inclusive of GST and freight charges and all applicable taxes and charges should be indicated.
3. Warranty of minimum one year for manufacturing defects should be provided.

4. Material to be delivered within 30 days of receipt of purchase order.
5. The Window Glasses are to be safely packed and should be able to withstand transportation. Cost of transit insurance to be borne by the company.
6. The Window Glasses are to be delivered at Delhi Sarai Rohilla Railway Station Coaching Care Centre Depot or any other station near Delhi area, where they would be stored/fitted. Unloading of window glasses has to be done by the supplier.
7. The rate should be inclusive of freight charges.
8. One sample of sealed window glass is required to be prepared for inspection prior to bulk production and the material may be inspected at the works of the supplier by the representative of IRCTC and samples to be fitted in coach for checking by IRCTC. After approval, complete lot are to be delivered at Delhi Sarai Rohilla Railway Station Coaching Care Centre Depot or any other station near Delhi area. Unloading of window glasses has to be done by the supplier.
9. In case there is discrepancy between the rate quoted in figures and words, the rate mentioned in words will be taken as final.

Security Deposit (SD)

1. Successful bidder shall have to deposit a Performance Guarantee (PG) amount @ 5% of the contract value within 15 days of issuance of LOA in form of DD/NEFT/RTGS in favour of IRCTC.
2. In case of non-submission of Performance Guarantee (PG), the rate of recovery should be at the rate of 100% of the bills amount.
3. Security Deposit (SD) shall be returned to the contractor after the expiry of the Warranty/contract period after passing the final bill based on No Claim Certificate with the approval of the Competent Authority.

Payment Details:

- a. The payment will be made after delivery of materials and duly certified by IRCTC representative. Payment will be released for the quantity delivered in good condition at Sarai Rohila Depot or any other station near Delhi area.
- b. The material may be inspected at the works of the supplier by the representative of IRCTC. One sample is required to be prepared and provided for the fitment & inspection prior to the bulk production. If the sample is failed, complete lot shall be rejected.
- c. The offer should be valid for 30 days after opening of quotation.
- d. Payment will be made by NEFT/RTGS on submission of bill after completion of work and duly certified by the authorized representative of IRCTC.

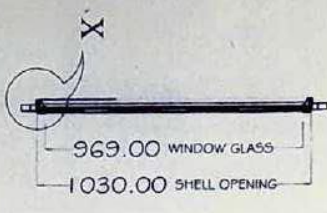
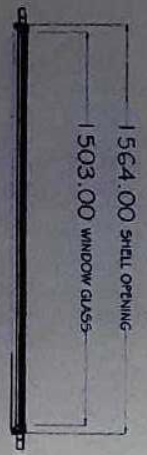
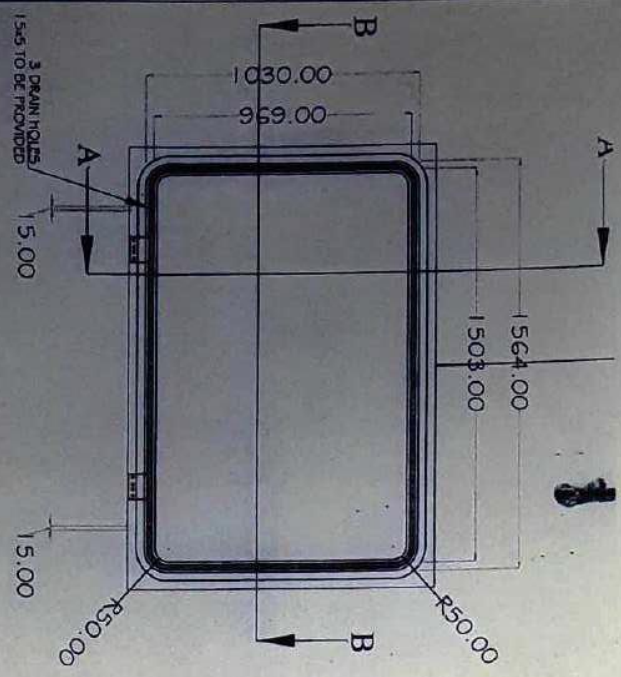
This document can be viewed on IRCTC's website www.irctc.com and offers will be submitted received only at Tender Wizard portal: <https://tenderwizard.com>. To participate in the bid, it is mandatory for the bidders to register themselves on Tender Wizard Portal. The submission of bid shall be considered as confirmation that the bidder has read, understood and accepted all the documents referred to in the tender documents. Drawings are attached below the document.

Quotations shall be received on 08.08.2024 up to 12:00 hrs. and will be opened online at 12:30 hrs. on 08.08.2024.

For any further query, Services department, IRCTC Ltd., M-13, 2nd Floor, Punj House, Connaught Place, New Delhi-110001 may be contacted.

**DGM/IT/Proc.
IRCTC/CO**

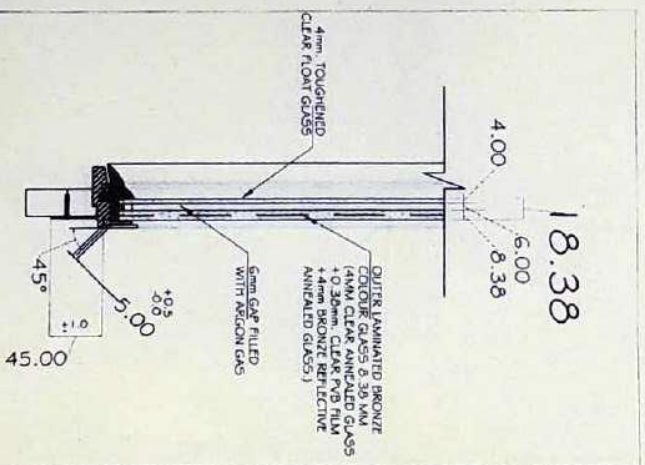
124



SECTION-BB

SECTION-AA

DETAIL AT -X



INDIAN RAILWAY CATERING AND
TOURISM CORPORATION LTD.
1564 TO BE PROVIDED, 15 PANDIT STREET, NEW DELHI

PROJECT:
SEALED WINDOW GLASS DETAIL FOR IRCTC COACHES

SCALE:
NOT TO SCALE
DATE: 03.12.2010

